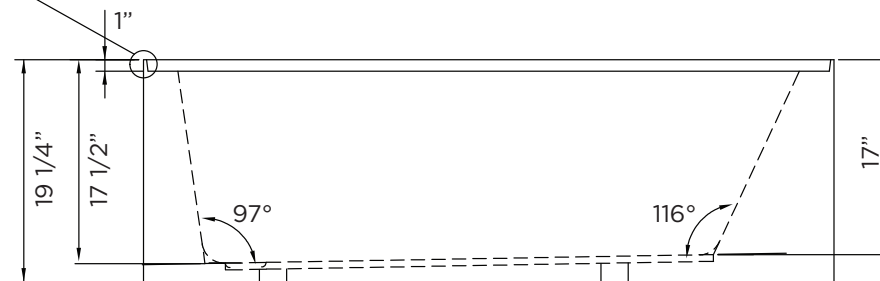
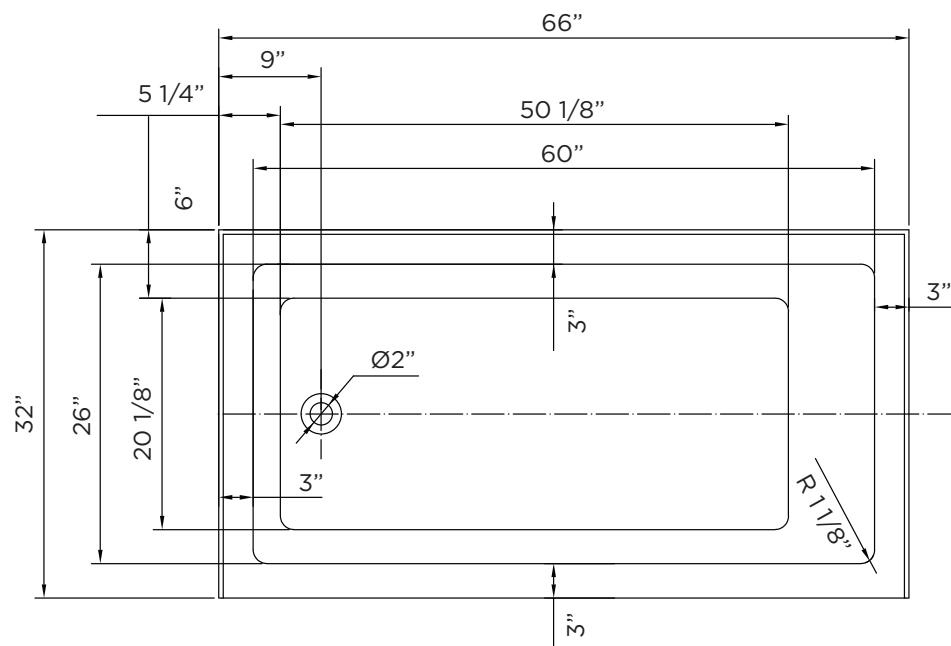
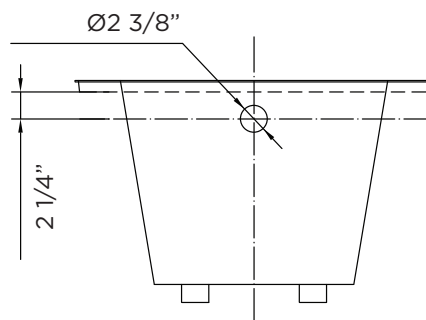
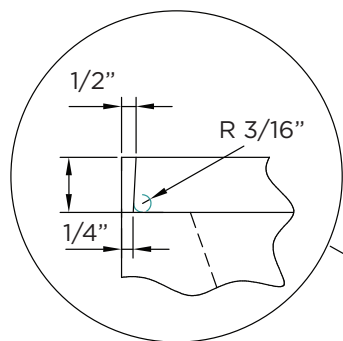


**SPECIFICATIONS / TECHNICAL DATA**

# BATHTUB APRON



*ATTENTION! Dimensions may vary by up to 3/8". It is highly recommended to pull all dimensions of actual model for installation and measuring purposes.*

**MODEL# BTA303-L**